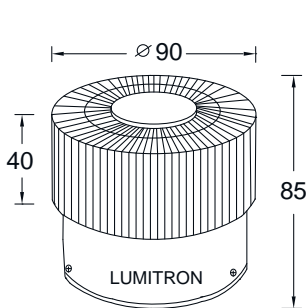


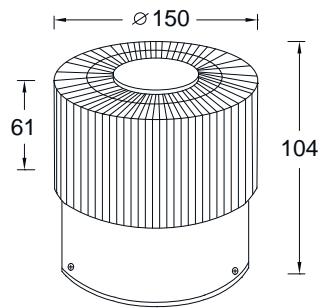
LED Wall Light - IP55

- Die cast aluminium body , IP55
- Input Voltage: 220VAC
- Power LED 3W, 9W 700mA



ITWL - 66

Power LED 3W, 700mA 200lumen



ITWL - 67

Power LED 9W, 700mA 600lumen



LUMITRON

LED